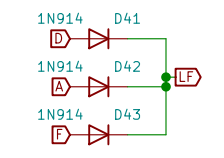
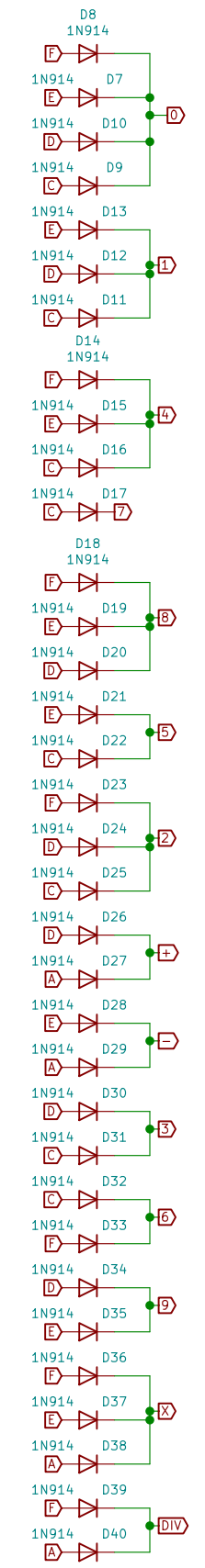
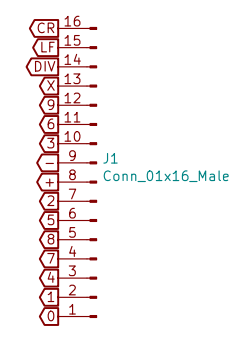
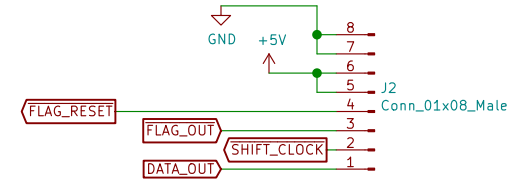
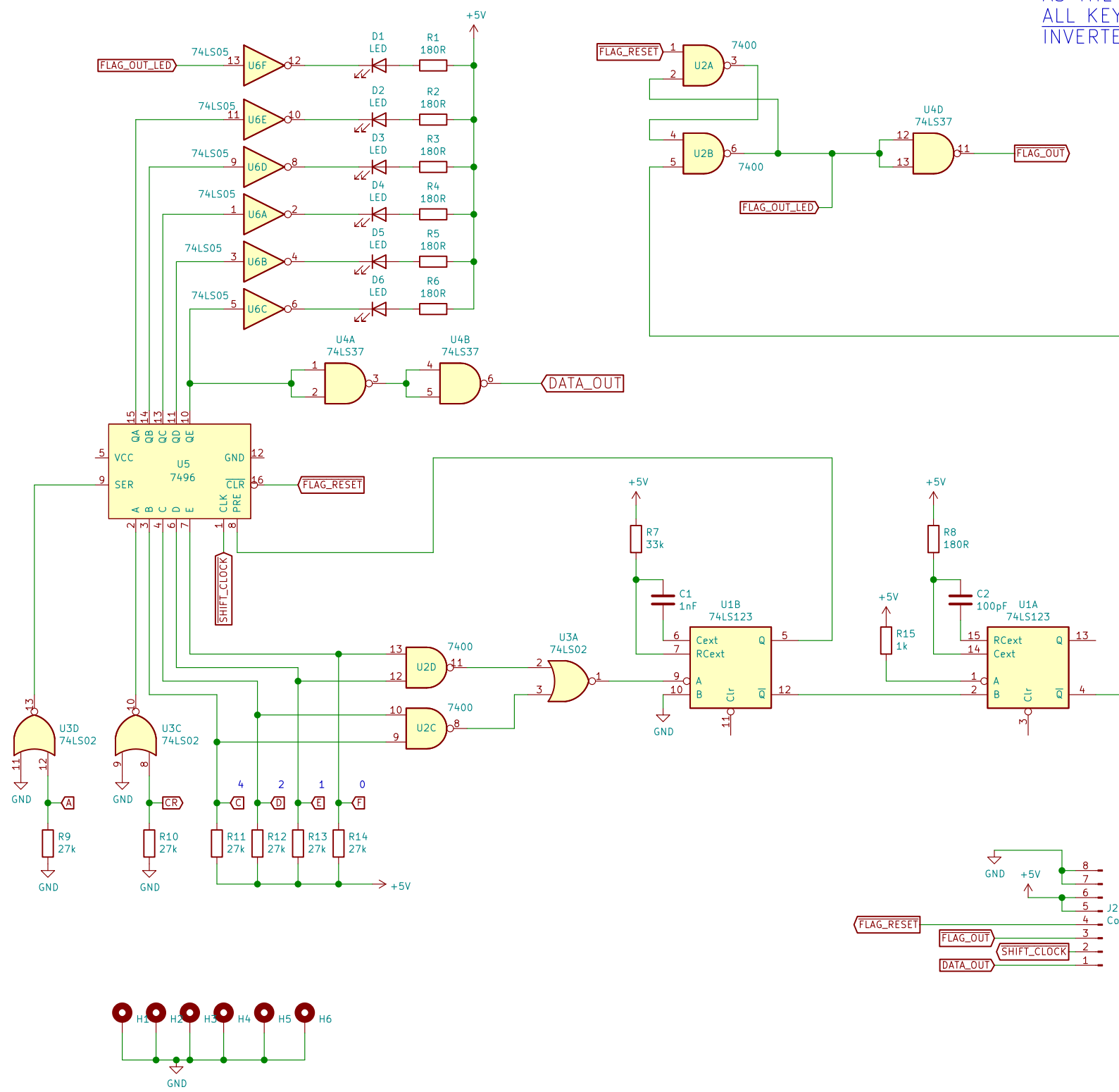
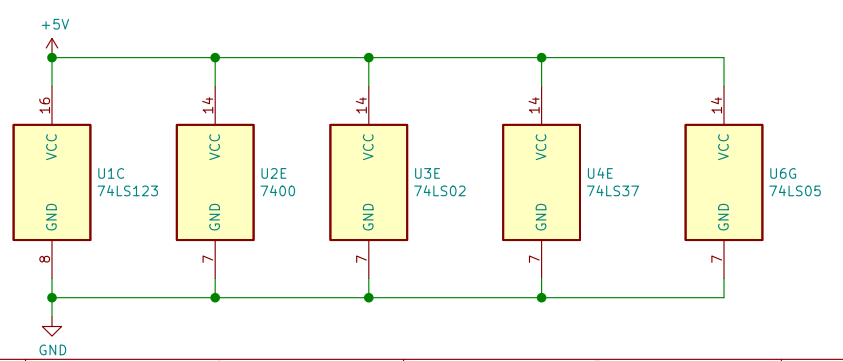


AS THE EDUC-8 USES NEGATIVE LOGIC.
ALL KEYBOARD BINARY ENCODING IS
INVERTED BY THE COMPUTER ITSELF



SHIFT CLOCK SHOWN IN SCHEMATIC AND GRAPHICAL
OVERLAY AS INVERTED. ON THE PCB ARTWORK,
THIS GATE IS BYPASSED AND NOT USED



KEYBOARD INTERFACE

Sheet: /		File: Keyboard interface.sch	
Title:			
Size: A3	Date:	Rev:	
KiCad E.D.A. kicad (5.1.10-1-10_14)		Id: 1/1	